

Recyclable 12/24V Aluminium-Air battery

MAL-R0117

The battery consists of 23 cells providing nominal 24V and 12V at the connector.

Key Features

- The battery lasts 4 times longer than the incumbent Lithium primary battery.
- The battery is recyclable and has a life of 10 years.
- The battery is compliant with all devices normally powered by a BA5590. It is a direct replacement.



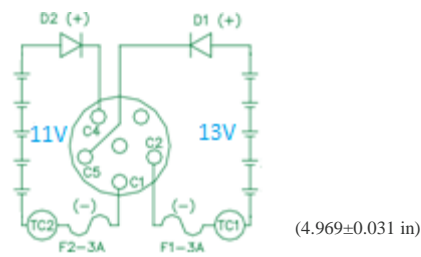
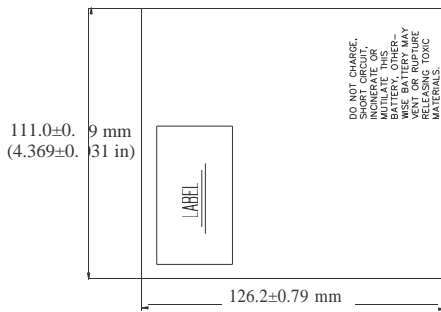
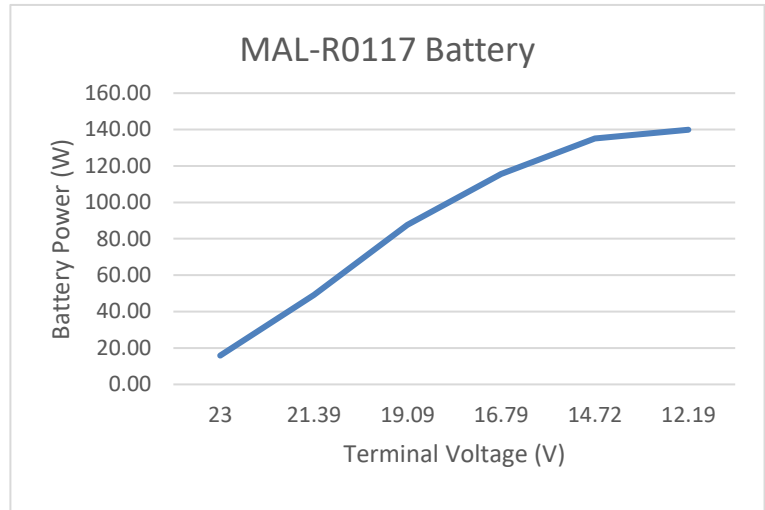
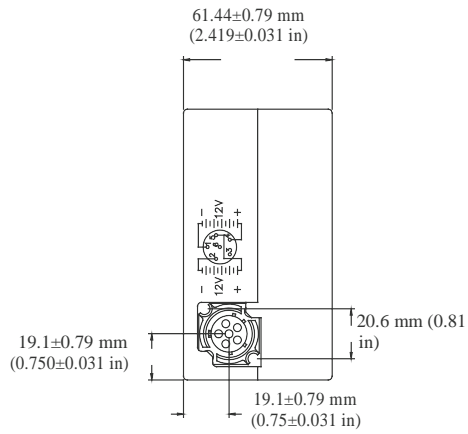
Typical applications

- AN/PRC-104 Radio
- AN/PRC-113 Radio
- AN/PRC-117 Radio

- AN/PRC-119 Singars Radio
- AN/PRC 150
- KY-57, KY-65 Encryption set
- REMBASS Remotely monitored battlefield surveillance system
- PLRS position locator and reporting system
- RT-991 buoy radio

- RT-1175 buoy radio
- AN/TAS-4A TOW night sight

Electrical characteristics	12V mode	24 V mode
Maximum OCV	12.5V 24V	
Nominal voltage (at 500 mA)	12.2V	23.5V
Typical capacity +21°C / +70°F	736Wh (4x BA5590)	
Operating temperature	-40°C to +71°C / -40°F to +160°F	
Storage (Recommended max) (Possible)	+35°C / +95°F -40°C to +71°C / -40°F to +160°F	
Physical characteristics	Metric	Imperial
Typical weight	1,000 g	35.3 oz
Width	62.2mm	2.45 in
Height	111.8mm	4.40 in
Depth	127.0mm	5.00 in
Battery case	Plastic	
References		
Mating connector	IT Cannon CA 110821-6	
Reference specifications	MIL PRF 49471B	
Nato Stock Number	TBA XXXX-XX-XXX-XXXX	



Stephane Collard
Home, Marine & Aerospace
Business Developer for France
+33 660 662 650
stephane@arcane-conseil.com

MAL(Research &
Development) Ltd
Unit 6 Tavy Business
Park,
Tavistock, UK
PL19 0NU